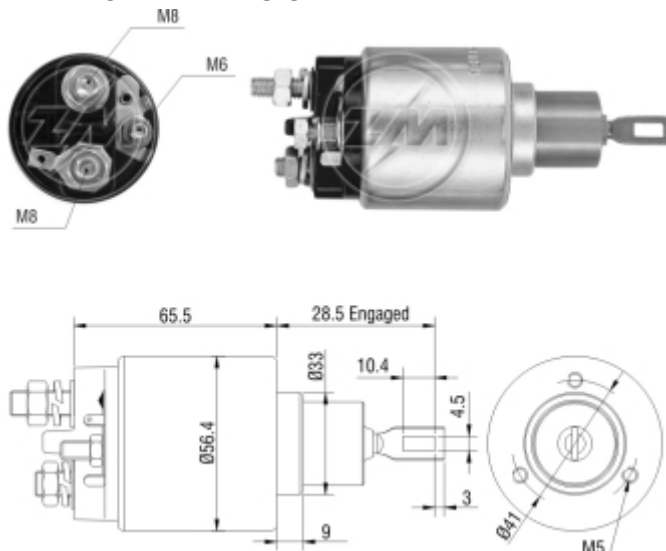




Tecnologia para um mundo sempre em movimento.

Relé de Partida ZM 775 12v - CAP ZM 775.91



Aplicación

Vehículo	Cambio de modelo	Desde	Ate
GM-CHEVROLET			
Corsa	1.6 EFI com motor NZ SOHZ	1995	1998
GM-OPEL			
Ascona	C 1.8 with E 18 NV engine	1987	1988
Ascona	C 2.0i CAT with C 20 NE engine	1986	1988
Ascona	C 2.0i GT with 20 SEH engine	1987	1988
Ascona	C 2.0i with 20 NE engine	1986	1988
Ascona	C 2.0i with C 20 NEF engine	1987	1988
Ascona	C Hatchback 1.8 with E 18 NV engine	1987	1988
Ascona	C Hatchback 2.0i CAT with C 20 NE engine	1986	1988
Ascona	C Hatchback 2.0i GT with 20 SEH engine	1987	1988
Ascona	C Hatchback 2.0i with 20 NE engine	1986	1988
Astra	F 1.8i with C 18 NZ engine	1992	1998
Astra	F 2.0i with C 20 NE engine	1992	1998
Astra	F Convertible 2.0i with C 20 NE engine	1993	1994
Astra	F Estate 1.8i with C 18 NZ engine	1991	1998
Astra	F Estate 20.i 16V with C 20 XE engine	1993	1998
Astra	F Estate 20.i with C 20 NE engine	1991	1994
Astra	F Hatchback 18.i with C 18 NZ engine	1991	1998
Astra	F Hatchback 2.0.i GSI with C 20 XE engine	1991	1998
Astra	F Hatchback 2.0.i with C 20 NE engine	1991	1998
Calibra	A 2.0i 16V 4x4 with C 20 XE engine	1990	1994
Calibra	A 2.0i 16V with C 20 XE engine	1990	1994
Calibra	A 2.0i 4x4 with C 20 NE engine	1990	1997
Calibra	A 2.0i Turbo 4x4 with C 20 LET engine	1992	1997
Calibra	A 2.0i with C 20 NE engine	1990	1997
Frontera	A Sport 2.0i with C 20 NE engine	1992	1998
Frontera	A Sport 2.0i with X 20 SE engine	1992	1998
Kadett	E 1.8 S with C 18 NV engine	1987	1991
Kadett	E 1.8 with 18 E engine	1987	1990

Kadett	E 1.8i with C 18 NE engine	1985	1986
Kadett	E 1.8i with C 18 NT engine	1990	1991
Kadett	E 1.8i with C 18 NZ engine	1990	1991
Kadett	E 2.0i CAT with C 20 NE engine	1987	1991
Kadett	E 2.0i with 20 NE engine	1987	1991
Kadett	E Convertible 2.0i CAT with C 20 NE engine	1986	1993
Kadett	E Convertible 2.0i with 20 NE engine	1986	1993
Kadett	E Estate 1.8 E with C 18 NE engine	1985	1986
Kadett	E Estate 1.8 S with C 18 NV engine	1987	1991
Kadett	E Estate 1.8i with C 18 NT engine	1985	1991
Kadett	E Estate 1.8i with C 18 NZ engine	1987	1991
Kadett	E Estate 2.0i CAT with C 20 NE engine	1987	1991
Kadett	E Estate 2.0i with 20 NE engine	1987	1991
Kadett	E Hatchback 1.8 E with C 18 NE engine	1987	1991
Kadett	E Hatchback 1.8 S with E 18 NV engine	1987	1991
Kadett	E Hatchback 1.8 S with S 18 NV engine	1987	1991
Kadett	E Hatchback 1.8i with C 18 NT engine	1987	1991
Kadett	E Hatchback 1.8i with C 18 NZ engine	1987	1991
Kadett	E Hatchback 1.8i with S 18 NV engine	1985	1991
Kadett	E Hatchback 2.0 GSI 16V with 20 SEH engine	1987	1991
Kadett	E Hatchback 2.0 GSI 16V with 20 XEJ engine	1988	1991
Kadett	E Hatchback 2.0 GSI 16V with C 20 XE engine	1988	1991
Kadett	E Hatchback 2.0 GSI CAT with C 20 NE engine	1986	1991
Kadett	E Hatchback 2.0 GSI with 20 NE engine	1986	1991
Kadett	E Hatchback 2.0 GSI with 20 SEH engine	1986	1991
Omega	A 1.8 N with 18 NV engine	1986	1987
Omega	A 1.8 S with 18 SV engine	1986	1994
Omega	A 1.8 with 18 SEH engine	1986	1994
Omega	A 1.8 with C 18 NVR engine	1987	1994
Omega	A 2.0 with 20 SE engine	1986	1994
Omega	A 2.0 with C 20 NEF engine	1990	1994
Omega	A 2.0 with C 20 NEJ engine	1990	1994
Omega	A 2.0i with C 20 NE engine	1986	1994
Omega	A Estate 1.8 N with 18 NV engine	1986	1987
Omega	A Estate 1.8 S with 18 SV engine	1986	1994
Omega	A Estate 1.8 with 18 SEH engine	1986	1994
Omega	A Estate 1.8 with E 18 NVR engine	1987	1994
Omega	A Estate 2.0 with 20 SE engine	1986	1994
Omega	A Estate 2.0 with C 20 NEF engine	1990	1994
Omega	A Estate 2.0i with C 20 NE engine	1986	1994
Omega	A Estate 2.0i with C 20 NEJ engine	1990	1994
Omega	B 2.0 with 20 SE engine	1994	2000
Omega	B 2.0 with X 20 SE engine	1994	1999
Omega	B Estate 2.0 with X 20 SE engine	1994	1999
Rekord	E 1.8 E with C 18 NV engine	1985	1986
Rekord	E 1.8 S with 18 S engine	1982	1986
Rekord	E 1.8 with 18 N engine	1982	1986
Rekord	E Estate 1.8 E with C 18 NV engine	1985	1986
Rekord	E Estate 1.8 S with 18 S engine	1982	1986
Rekord	E Estate 1.8 with 18 N engine	1982	1986
Vectra	A 1.6i CAT with C 16 NZ engine	1988	1995
Vectra	A 1.6i CAT with C 16 NZ2 engine	1988	1995
Vectra	A 1.6i with 16 LZ2 engine	1993	1995
Vectra	A 1.8 S 4x4 with E 18 NVR engine	1989	1989
Vectra	A 1.8 S with 18 SV engine	1989	1990
Vectra	A 1.8 S with E 18 NVR engine	1988	1989
Vectra	A 1.8i CAT with C 18 NZ engine	1990	1995
Vectra	A 2.0 with C 20 NEF engine	1988	1989
Vectra	A 2.0i 4x4 CAT with C 20 NE engine	1989	1995

Vectra	A 2.0i 4x4 with 20 NE engine	1989	1990
Vectra	A 2.0i 4x4 with 20 SEH engine	1989	1992
Vectra	A 2.0i CAT with C 20 NE engine	1988	1995
Vectra	A 2.0i Turbo 4x4 with C 20 LET engine	1994	1995
Vectra	A 2.0i with 20 NE engine	1988	1990
Vectra	A 2.0i with 20 SEH engine	1988	1992
Vectra	A 2000 16V 4x4 with 20 XEJ engine	1989	1990
Vectra	A 2000 GT 16V 4x4 CAT with C 20 XE engine	1989	1994
Vectra	A 2000 GT 16V CAT with C 20 XE engine	1990	1995
Vectra	A 2000 GT 16V with 20 XEJ engine	1989	1994
Vectra	A Hatchback 1.6i CAT with C 16 NZ engine	1988	1995
Vectra	A Hatchback 1.6i CAT with C 16 NZ2 engine	1988	1995
Vectra	A Hatchback 1.6i with 16 LZ2 engine	1988	1995
Vectra	A Hatchback 1.8 S with E 18 NVR engine	1988	1989
Vectra	A Hatchback 1.8i CAT with C 18 NZ engine	1990	1995
Vectra	A Hatchback 1.8i with 18 SV engine	1988	1990
Vectra	A Hatchback 2.0 with C 20 NEF engine	1988	1989
Vectra	A Hatchback 2.0i 16V CAT with C 20 XE engine	1990	1995
Vectra	A Hatchback 2.0i 16V with 20 XEJ engine	1989	1990
Vectra	A Hatchback 2.0i CAT with C 20 NE engine	1988	1995
Vectra	A Hatchback 2.0i GT with 20 SEH engine	1988	1995
Vectra	A Hatchback 2.0i with 20 NE engine	1988	1990

GM-VAUXHALL

Astra	1.6L S Estate with 16 SH engine	1981	1986
Astra	1.6L S Hatchback with 16 SH engine	1981	1986
Astra	Mk II 1.8L Belmont with 18 SE engine	1986	1990
Astra	Mk II 1.8L GTE Hatchback with 18 E engine	1984	1991
Astra	Mk II 1.8L GTE Hatchback with 18 SE engine	1984	1991
Astra	Mk II 1.8i Belmont with 18 SE engine	1985	1991
Astra	Mk II 1.8i Belmont with 18 E engine	1985	1991
Astra	Mk II 2.0L GTE 16V Hatchback with 20 XE engine	1988	1991
Astra	Mk II 2.0L GTE Hatchback with 20 SEH engine	1986	1991
Astra	Mk II 2.0i CAT Convertible with C 20 NE engine	1991	1993
Astra	Mk II 2.0i Convertible with 20 NE engine	1987	1991
Astra	Mk III 2.0i 16V Hatchback with C 20 XE engine	1991	1998
Astra	Mk III 2.0i C Convertible with 20 NE engine	1993	1994
Astra	Mk III 2.0i Estate with C 20 NE engine	1991	1998
Astra	Mk III 2.0i Hatchback with C 20 NE engine	1991	1998
Astra	Mk III 2.0i with C 20 NE engine	1992	1998
Calibra	2.0i 16V 4x4 with C 20 XE engine	1990	1994
Calibra	2.0i 16V with C 20 XE engine	1990	1994
Calibra	2.0i 4x4 with C 20 NE engine	1990	1997
Calibra	2.0i with C 20 NE engine	1990	1997
Carlton	Mk II 1.8 S with 18 S engine	1982	1986
Carlton	Mk II Estate 1.8 S with 18 S engine	1982	1986
Carlton	Mk III 1.8 N with 18 NV engine	1986	1987
Carlton	Mk III 1.8 S with 18 SV engine	1986	1994
Carlton	Mk III 1.8 with E 18 NVR engine	1987	1994
Carlton	Mk III 1.8i with 18 SEH engine	1986	1994
Carlton	Mk III 2.0 with C 20 NE engine	1986	1994
Carlton	Mk III 2.0 with C 20 NEF engine	1990	1994
Carlton	Mk III 2.0 with C 20 NEJ engine	1990	1994
Carlton	Mk III 2.0i with 20 SE engine	1986	1994
Carlton	Mk III Estate 1.8 N with 18 NV engine	1986	1987
Carlton	Mk III Estate 1.8 S with 18 SV engine	1986	1994
Carlton	Mk III Estate 1.8 with E 18 NVR engine	1987	1994
Carlton	Mk III Estate 1.8i with 18 SEH engine	1986	1994
Carlton	Mk III Estate 2.0 with C 20 NE engine	1986	1994

TERMINAL DEL MOTOR
TERMINAL DE IGNICIÓN

M8
M6 Post
