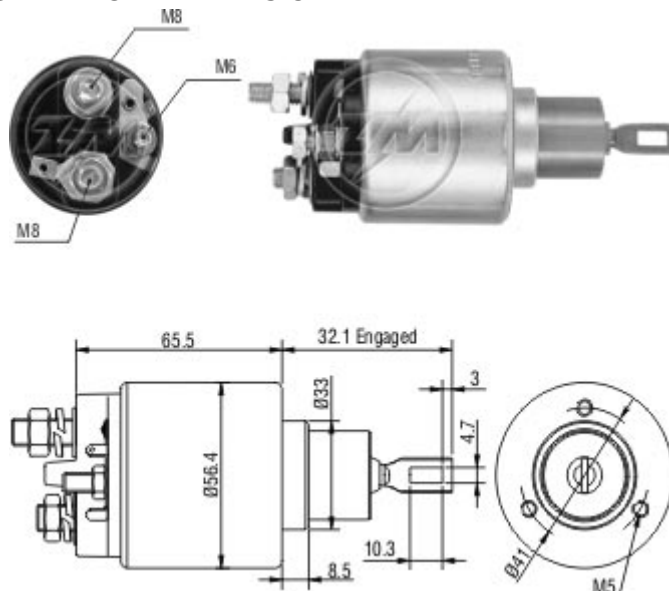




Tecnologia para um mundo sempre em movimento.

Relé de Partida ZM 973 12v - CAP ZM 775.91



Aplicación

Vehículo	Cambio de modelo	Desde	Ate
FORD			
Courier	1.8 diesel with RTJ engine	1995	2001
Courier	1.8 diesel with RTK engine	1995	2001
Escort	1.1 with GSG engine	1986	1988
Escort	1.3i Turnier with J6A engine	1995	2001
Escort	1.3i with J6A engine	1995	2001
Escort	1.4i Cabrio with F4B engine	1995	2001
Escort	1.4i Express 55 with F4B engine	1995	
Escort	1.4i Express 75 with F4B engine	1995	
Escort	1.4i Turnier with F4B engine	1995	2001
Escort	1.6i 16V with L1E engine	1992	1994
Escort	1.8 Turbo diesel Cabrio with RFD engine	1995	2001
Escort	1.8 Turbo diesel Cabrio with RFK engine	1995	2001
Escort	1.8 Turbo diesel Cabrio with RVA engine	1995	2001
Escort	1.8 Turbo diesel Express with RVA engine	1995	
Escort	1.8 Turbo diesel Turnier with RFD engine	1995	2001
Escort	1.8 Turbo diesel Turnier with RFK engine	1995	2001
Escort	1.8 Turbo diesel Turnier with RVA engine	1995	2001
Escort	1.8 Turbo diesel with RFD engine	1995	2001
Escort	1.8 Turbo diesel with RFK engine	1995	2001
Escort	1.8 Turbo diesel with RVA engine	1995	2001
Escort	1.8 diesel Express 55 with RTF engine	1995	
Escort	1.8 diesel Express 75 with RTH engine	1995	
Escort	1.8 diesel Turnier with RTH engine	1995	2001
Escort	1.8 diesel with RTH engine	1995	2001
Escort	1.8i 16V XR3 Cabrio with RQB engine	1995	2001
Escort	2.0i 16V RS 2000 4x4 with N7A engine	1995	1996
Escort	2.0i 16V RS 2000 with N7A engine	1995	1996
Fiesta	1.0L with TLB engine	1989	1996
Fiesta	1.3L with JBC engine	1991	1996

Fiesta	1.3i with J6C engine	1991	1996
Fiesta	1.4i Flair Fun with CVH14/PTE engine	1998	1999
Granada	2.4i with ARD engine	1992	1994
Granada	2.9i 24V with BOA engine	1992	1994
Granada	2.9i 4x4 with BRD engine	1992	1994
Granada	2.9i 4x4 with BRE engine	1992	1994
Granada	2.9i with BRF engine	1992	1994
Mercur	2.9i with TV 29EFI Katalysator engine	1988	1993
Mondeo	1.8 Turbo diesel with RFM	1993	1996
Mondeo	1.8 Turbo diesel with RFN	1993	1996
Scorpio	2.4i with ARD engine	1988	1994
Scorpio	2.9i 24V with BOA engine	1991	1994
Scorpio	2.9i Turnier with BRG engine	1995	1996
Scorpio	2.9i XR4 4x4 with BRC engine	1986	1992
Scorpio	2.9i XR4 with BRE engine	1987	1992
Scorpio	2.9i with BRF engine	1992	1994

Código Coincidente

BOSCH

• 0.331.303.140

• 0.331.303.640

Código del Motor

BOSCH

• 0.001.107.027
• 0.001.107.028
• 0.001.107.029
• 0.001.108.087
• 0.001.108.106
• 0.001.108.109

• 0.001.108.110
• 0.001.108.111
• 0.001.108.116
• 0.001.108.133
• 0.001.108.139

• 0.001.108.140
• 0.001.110.104
• 0.001.112.016
• 0.001.112.033
• 0.001.113.009

Especificaciones

VOLTAJE DEL SOLENOIDE	12
TERMINAL BATERÍA	M8
TERMINAL DEL MOTOR	M8
TERMINAL DE IGNICIÓN	M6 Post
